

COMPOSITE SUSPENSION INSULATOR

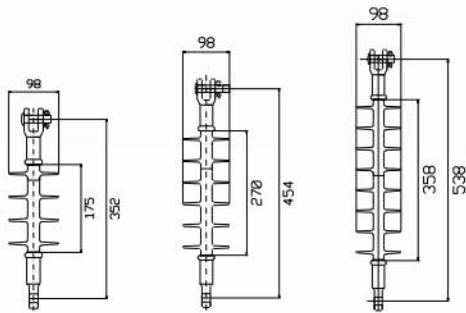
COMPOSITE SUSPENSION SERIES

Composite suspension insulators have a better mechanical performance and electric performance than porcelain insulators, as well as strong explosion protection, good hydrophobicity and are suitable for high mechanical tension load, long span and compact power line. So the tolerance of safe operation is big, it is the renew products for electric power line.

1 Voltage up to 11kV-33kV

2 Material Polymer

3 Standard applied IEC61109

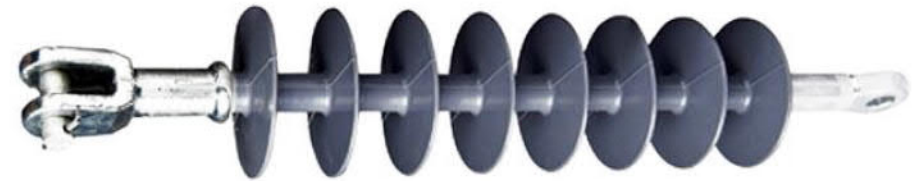


FXBU-15KV

FXBU-25KV

FXBU-35KV

| FXBU-15KV | FXBU-25KV | FXBU-35KV | Models |
|-----------|-----------|-----------|---|
| 15 | 25 | 35 | Rated Voltage(kV) |
| 70 | 70 | 70 | Rated mechanical strength load(kV) |
| 445 | 667 | 886 | Creepage distance(mm) |
| 352 ± 15 | 454 ± 15 | 538 ± 15 | Structure height(mm) |
| 175 | 270 | 358 | Insulating distance(mm) |
| 95 | 185 | 200 | Lightning impulse withstand voltage(kV) |
| 42 | 75 | 90 | 1 min wet power frequency withstand voltage(kV) |
| IEC61109 | IEC61109 | IEC61109 | Standard |



FXBU-35KV



FXBU-25KV



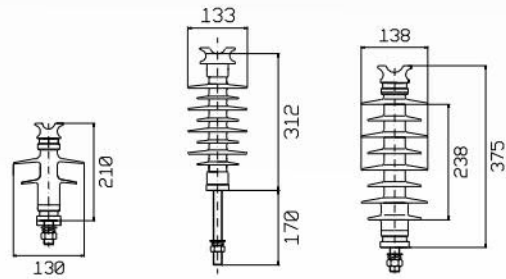
FXBU-15KV

COMPOSITE PIN INSULATOR

11KV-33KV

Composite Pin Insulators, also known as polymer insulators or silicone rubber insulators, As the replacement of porcelain insulators, silicone rubber composite insulators have many advantages compared to porcelain insulators .They are more lighter in weight, almost a 90% weight reduction. This weight reduction leads to easier handling, reduced shipping and installation costs,and better performance in high contamination areas.

- 1** Voltage up to **11kv-33kv**
- 2** Material **Polymer**
- 3** Standard applied **IEC61952**



| 11KV 10KN | 24KV 8KN | 33KV 10KN | Specis |
|-----------|----------|-----------|---|
| 11 | 24 | 33 | Rated Voltage(kV) |
| 10 | 8 | 10 | Rated mechanical strength load(KN) |
| 300 | 770 | 900 | Creepage distance(mm) |
| 210 | 312 ± 15 | 375 ± 15 | Structure height(mm) |
| 142 | 215 | 307 | Insulating distance(mm) |
| 95 | 170 | 200 | Lightning impulse withstand voltage(kV) |
| 38 | 75 | 90 | 1 min wet power frequency withstand voltage(kV) |
| IEC61952 | IEC61952 | IEC61952 | Standard |

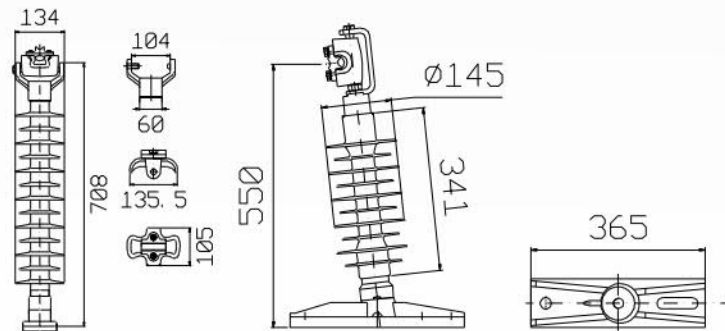


COMPOSITE POST INSULATOR

33KV SERIES

Composite post insulator are ideal for use in hvac, hvdc and in most hv application, which is made of one piece of porcelain but has fixing clamp arrangement are in both top and bottom end. They have excellent anti-pollution performance, suitable for high polluted area, the installation size is the same as porcelain in type, they can exchange to use each other.

- 1** Voltage up to **11kV-33kV**
- 2** Material **Polymer**
- 3** Standard applied **IEC61952**



33kV Vertical

33kV 10kn Horizontal

| | 33kV Vertical | 33kV 10kn Horizontal | Specis |
|---|---------------|----------------------|---|
| Rated Voltage(kV) | 33 | 33 | Rated Voltage(kV) |
| Rated mechanical strength load(KN) | 10 | 10 | Rated mechanical strength load(KN) |
| Creepage distance(mm) | 1385 | 1080 | Creepage distance(mm) |
| Structure height(mm) | 708 | 550 | Structure height(mm) |
| Insulating distance(mm) | 526 | 341 | Insulating distance(mm) |
| Lightning impulse withstand voltage(kV) | - | 245 | Lightning impulse withstand voltage(kV) |
| 1 min wet power frequency withstand voltage(kV) | - | 110 | 1 min wet power frequency withstand voltage(kV) |
| Standard | IEC61952 | IEC61952 | Standard |



INSULATOR FITTING

Horizontal Bracket
On Page
42

Vertical Bracket
On Page
42



33KV 10KN Horizontal



33KV Vertical